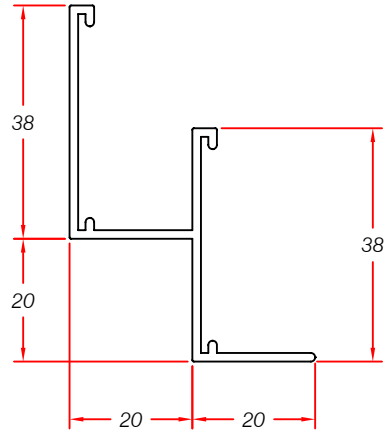
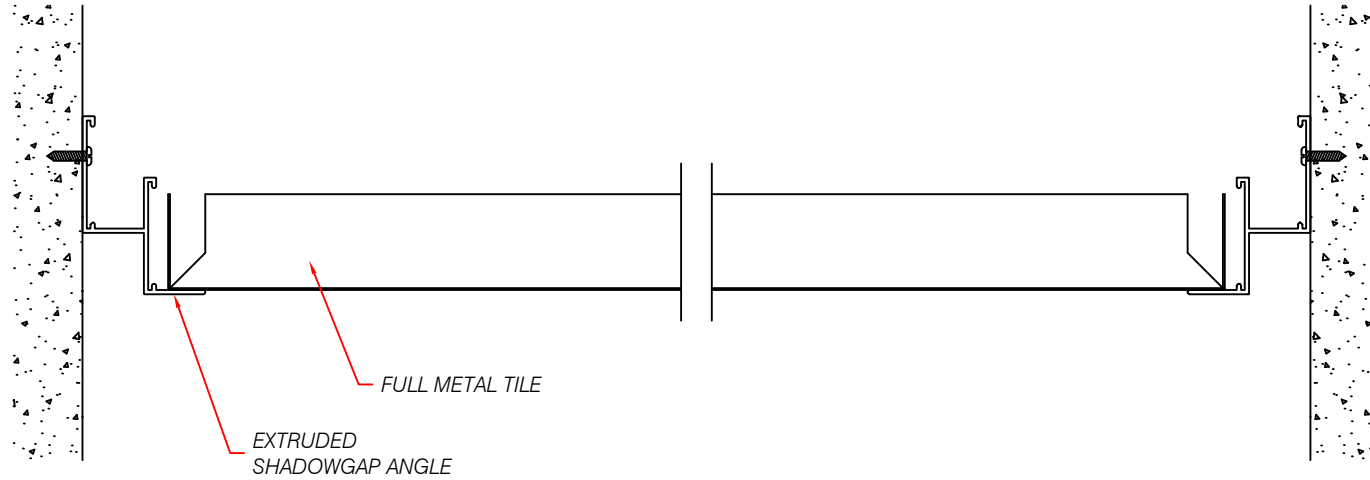


EXTRUDED SHADOWGAP ANGLE



NOTE:
15 X 15mm SHADOWGAP ALSO
AVAILABLE



TOLERANCE UNLESS STATED $\pm 1\text{mm}$	ALL DIMS IN MM
DO NOT SCALE	PROJECTION:- THIRD ANGLE

DETAILS:-

REV.	DESCRIPTION	DATE	CHK.D
REVISIONS			

DRAWING TITLE:-
**CORRIDOR SOLUTION FOR
SHADOWGAP ALUMINIUM
ANGLE EXTRUSIONS**

SCALE:- 1:	DATE:- 01/11/00	DRAWN BY:- JLB
JOB NUMBER OR CUSTOMER:-		CHECKED BY:-

CAD LOCATION & NAME:-

**BURGESS ARCHITECTURAL
PRODUCTS L.T.D.**
BROOKFIELD RD, HINCKLEY, LEICS, LE10 2LL.
TEL (01455) 618787. FAX (01455) 251061.
This drawing and any accompanying specification are the
copyright of Burgess Architectural Products Limited and
the content must not be used for any purpose which
would prejudice the company's commercial and legal
interests.

DRAWING NUMBER:- DETAIL-C	REVISION:- 0
-------------------------------------	------------------------

