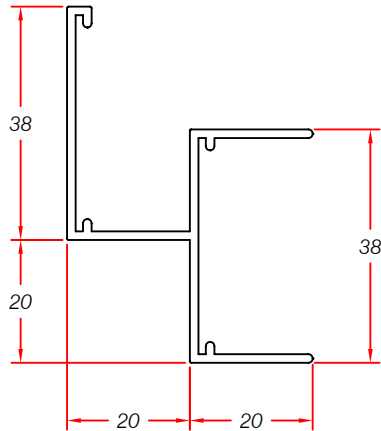
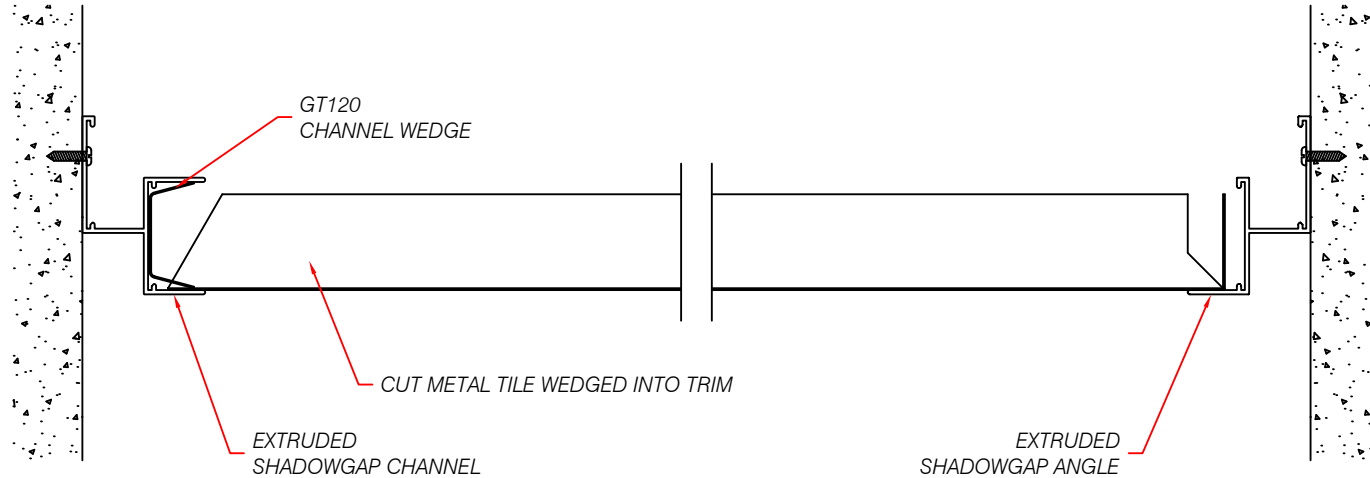
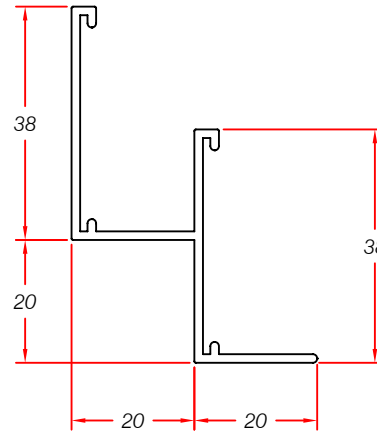


EXTRUDED SHADOWGAP CHANNEL



EXTRUDED SHADOWGAP ANGLE



NOTE:  
15 X 15mm SHADOWGAP ALSO  
AVAILABLE

TOLERANCE UNLESS STATED $\pm 1\text{mm}$	ALL DIMS IN MM
<b>DO NOT SCALE</b>	PROJECTION:- THIRD ANGLE

DETAILS:-


REV.	DESCRIPTION	DATE	CHK.D
------	-------------	------	-------

REVISIONS

DRAWING TITLE:-  
**CORRIDOR SOLUTION FOR  
VARIABLE WIDTH CORRIDORS  
WITH SHADOWGAP TRIM**

SCALE:- 1:	DATE:- 08/03/05	DRAWN BY:- JLB
---------------	--------------------	-------------------

JOB NUMBER OR CUSTOMER:-	CHECKED BY:-
--------------------------	--------------

CAD LOCATION & NAME:-

**BURGESS ARCHITECTURAL  
PRODUCTS L.T.D.**  
BROOKFIELD RD, HINCKLEY, LEICS, LE10 2LL.  
TEL (01455) 618787. FAX (01455) 251061.  
This drawing and any accompanying specification are the  
copyright of Burgess Architectural Products Limited and  
the content must not be used for any purpose which  
would prejudice the company's commercial and legal  
interests.

DRAWING NUMBER:- <b>DETAIL-D</b>	REVISION:- <b>0</b>
-------------------------------------	------------------------

